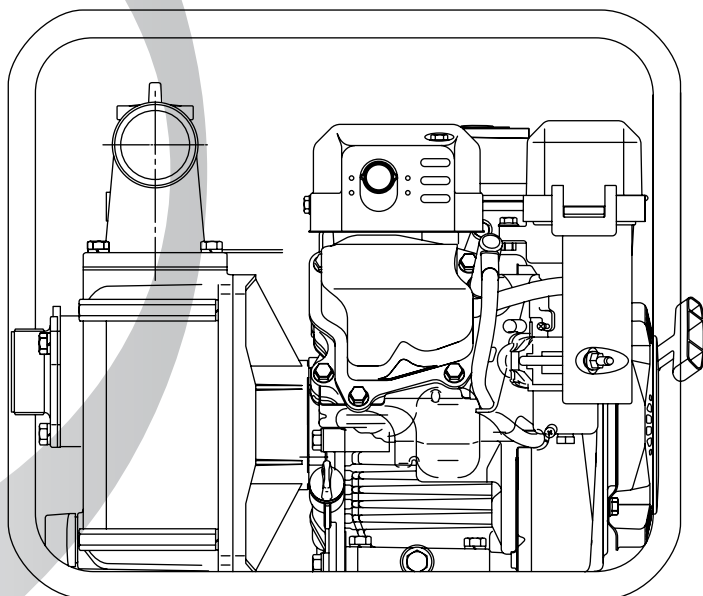
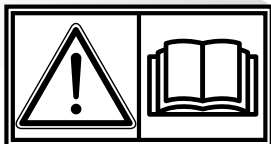
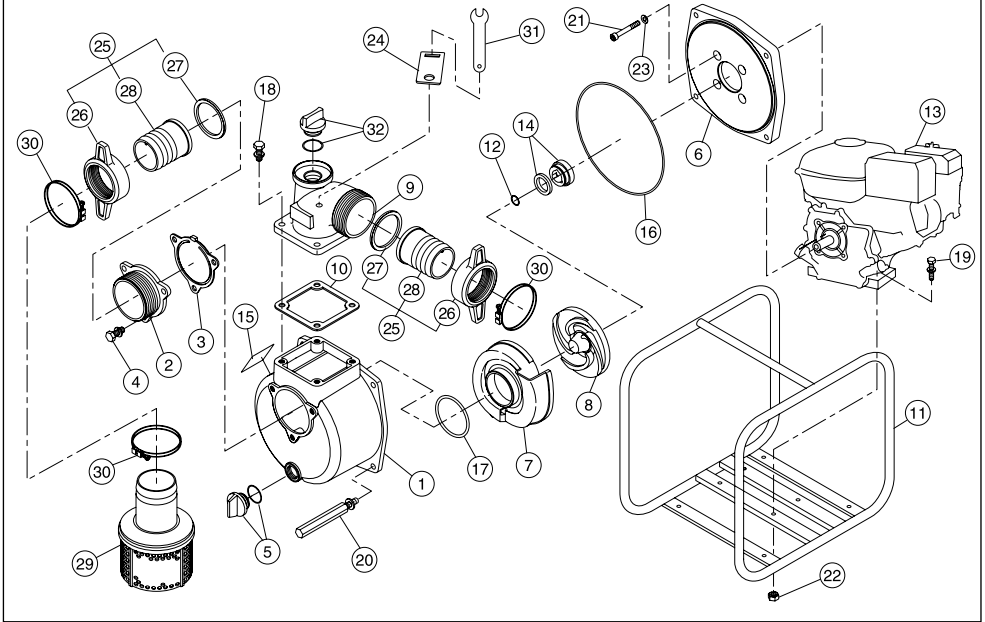


CATALOGUE PIÈCES DE RECHANGE GROUPE MOTOPOMPE

MODÈLE
TH 45 EX
(STR-50EX)



PARTS LIST STR-50EX



STR-50EX

No.	PARTS CODE	PARTS NAME	QTY
1	0120195	Pump casing (Logo)	1
	0112578	Pump casing	
2	0112662	Suction flange	1
3	0112665	Check valve	1
4	743119045	Bolt M8×20	3
5	0118078	20A Plug set	1
6	0114027	Flange bracket	1
7	0115169	Volute casing	1
8	0115168	Impeller	1
9	0110556	Delivery flange (Logo)	1
	0113245	Delivery flange	
10	0110541	Flange packing	1
11	————	Base set	1
12	0110466	Adjusting washer	3
13	————	Engine	1
14	0110688	Mechanical seal	1
15	————	Name plate	1
16	0115014	O-ring 1517-42.5	1
17	0112792	O-ring P54	1
18	743119047	Bolt M8×25	4

No.	PARTS CODE	PARTS NAME	QTY
19	743119051	Bolt M8×35	4
20	0115115	Long bolt M8×118	4
21	734532076	Socket bolt M8×60	4
22	827419008	Nut M8	4
23	854255008	Seal washer	4
24	0115230	Spanner holder 13mm	1
25	0117026	Coupling set	2
26	0113390	Coupling	2
27	0113391	Coupling packing	2
28	0110356	Nipple	2
29	0111286	Strainer set	1
30	940019060	Hose band φ60	3
31	0115185	Spanner	1
32	0118078	20A Plug set	1

*Specifications may differ slightly depending on model.

PR_03GMP_TH_45EX_STR-50EX

WORMS
ENTREPRISES

Siège Social

Parc Gustave Eiffel - 1 Bd. de Strasbourg - Bussy Saint Georges - 77607 Marne la Vallée - Cedex 3 - FRANCE

Standard

TEL. (33) 01 64 76 29 50

FAX (33) 01 64 76 29 99

Service Commercial

TEL. (33) 01 64 76 29 60

FAX (33) 01 64 76 29 99

SAV

TEL. (33) 01 64 76 29 80

FAX (33) 01 64 76 29 88